

540 x 946 x 135 mm

vertical version

- Nappy changer in robust, germ-reducing and easy-care stainless steel (AISI 304).
- All-stainless steel housing; all corners fully welded, visible surfaces satin finished and brushed, handle strip with glossy surface IIID. Further available surfaces: see below.
- Easy to open and close with maintenance free lifting mechanism supported by gas struts.
- Table surface in grey polypropylene, molded, without any visible fixtures.
- TÜV-tested and certified according to
DIN EN 1221-1: 2013
DIN EN 1221-2: 2013
AfPS GS 2014: 01 PAK
Load capacity 15 kg, test load 150 kg;
approved for public and private use.
- Wear parts can be replaced as modules.
- Mounting: With four screws through fixing holes in the back wall.
- Delivery includes fixing material.
- Weight, including single package: 26.7 kg

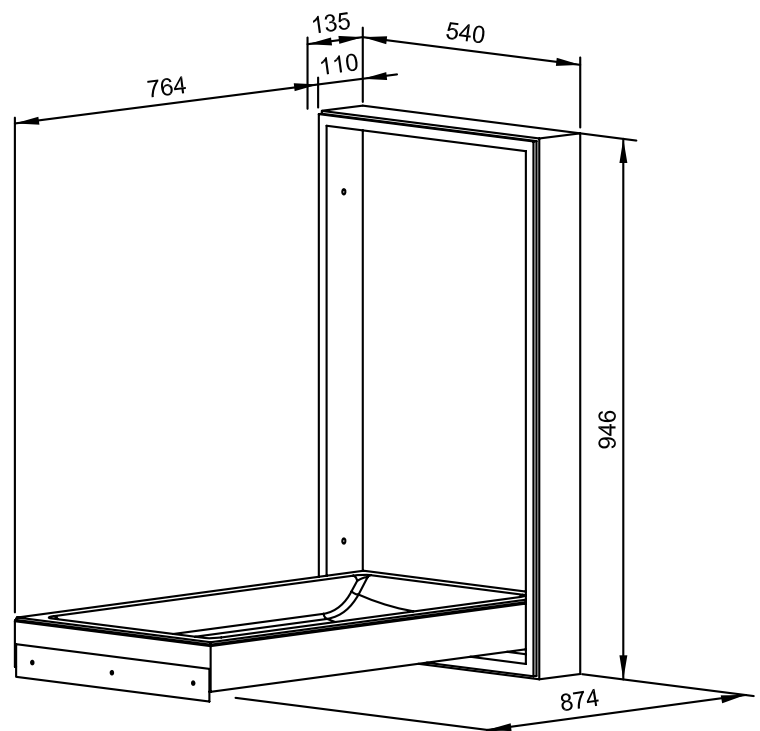


Suggested text for specifications:

Nappy changer in stainless steel (AISI 304) for surface mounting. All-stainless steel housing; all corners fully welded, visible surfaces satin finished and brushed, handle strip with glossy surface IIID. Table surface molded in polypropylene to fold out with lifting mechanism supported by gas struts. TÜV-tested and certified. Approved for public and private use. Delivery includes fixing material.

Dimensions: 540 x 946 x 135 mm

Article No. WP2115



Available surfaces	ID No.
satin finished (standard)	727 886
(coloured) plastic powder-coating	728 886