

PAPER ROLL DISPENSER FOR NAPPY CHANGER WP2405



435 x 148 x 148 mm
for 1 paper roll

- Paper roll dispenser for nappy changer in robust, germ-reducing and easy-care stainless steel (AISI 304).
- All-stainless steel housing; all corners fully welded, visible surfaces satin finished and brushed. Further available surfaces: see below.
- Designed for one standard paper roll with dimensions:
Outer diameter max. 125 mm
Width: max. 390 mm
Core diameter: min. 40 mm.
- Inspection slot to indicate fill level.
- Accessible for refilling through lockable, hinged housing.
- Keyed alike cylinder lock in corrosion-resistant zinc die-casting.
- Wear parts can be replaced as modules.
- Mounting: With four screws through key holes and one optional anti-theft hole in the back wall.
- Delivery includes fixing material.
- Weight, including single package: 3.8 kg

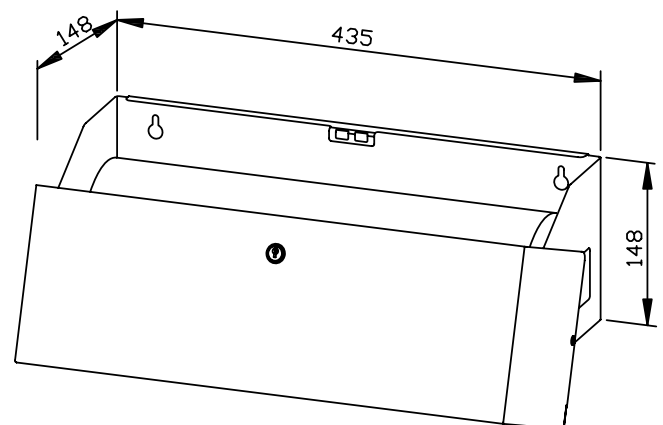


Suggested text for specifications:

Paper roll dispenser for nappy changer in stainless steel (AISI 304) for surface mounting. All-stainless steel housing; all corners fully welded, visible surfaces satin finished and brushed. Designed for one standard paper roll. Inspection slot to indicate fill level. Accessible for refilling through lockable, hinged housing. Keyed alike cylinder lock in corrosion-resistant zinc die-casting. Delivery includes fixing material.

Dimensions: 435 x 148 x 148 mm

Article No. WP2405



Available surfaces	ID No.
satin finished (standard)	727 680
highly polished	731 680
(coloured) plastic powder-coating	728 680

Ernst Wagner GmbH & Co. KG

Ernst-Abbe-Straße 21 · D-72770 Reutlingen · Tel.: +49712151539-0 · Fax: -20
info@wagner-ewar.de · www.wagner-ewar.de

WAGNER
EWAR