

# SANITARY BAG DISPENSER WP156



100 x 130 x 25 mm

1 sanitary bag box

- Sanitary bag dispenser in robust, germ-reducing and easy-care stainless steel (AISI 304).
- All-stainless steel housing; visible surfaces satin finished and brushed.  
Further available surfaces: see below.
- Designed for one standard sanitary bag box with dimensions of approx. 118 x 87 x 20 mm.
- Accessible for refilling through front flap with spring-clip locking.
- Mounting: With two screws through key holes and one optional anti-theft hole in the back wall.
- Delivery includes fixing material and first fill.
- Weight, including single package: 0.6 kg

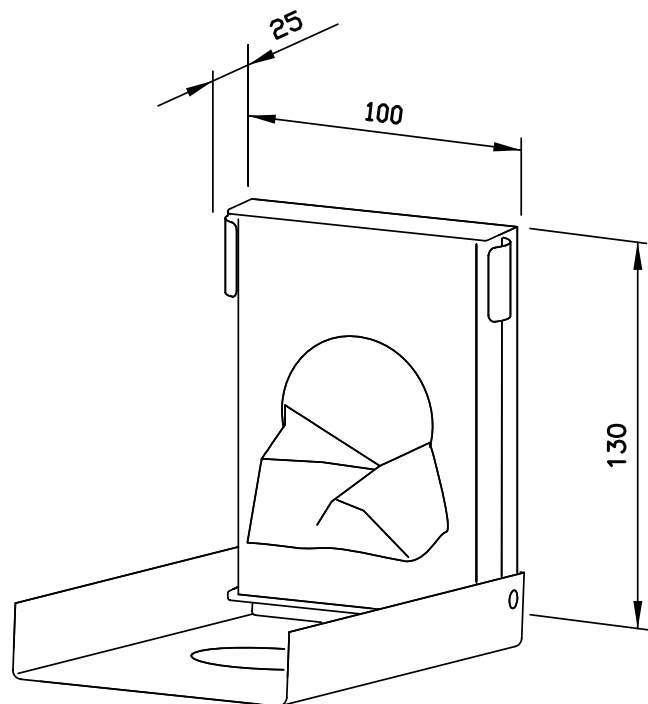


## Suggested text for specifications:

Sanitary bag dispenser in stainless steel (AISI 304) for surface mounting. All-stainless steel housing; visible surfaces satin finished and brushed. Designed for one standard sanitary bag box. Accessible for refilling through front flap with spring-clip locking. Delivery includes fixing material and first fill.

Dimensions: 100 x 130 x 25 mm

Article No. WP156



Available surfaces	ID No.
satin finished (standard)	727 500
highly polished	731 500
(coloured) plastic powder-coating	728 143

## Ernst Wagner GmbH & Co. KG

Ernst-Abbe-Straße 21 · D-72770 Reutlingen · Tel.: +49712151539-0 · Fax: -20  
info@wagner-ewar.de · www.wagner-ewar.de

WAGNER  
EWAR