

HYGIENE WASTE BIN WITH SANITARY BAG DISPENSER WP177



220 x 250 x 115 mm

Capacity approx. 4 l

- Hygiene waste bin with sanitary bag dispenser in robust, germ-reducing and easy-care stainless steel (AISI 304).
- All-stainless steel housing; visible surfaces satin finished and brushed.
Further available surfaces: see below.
- Equipped with removable hygiene bin. Capacity approx. 4 l.
- Sanitary bag dispenser integrated on the side. Designed for one standard box of plastic sanitary bags with dimensions of approx. 118 x 87 x 20 mm.
- Accessible through hinged lid.
- Mounting: With four screws through key holes and one optional anti-theft hole in the back wall.
- Delivery includes fixing material and one box of plastic sanitary bags.
- Weight, including single package: 2.8 kg

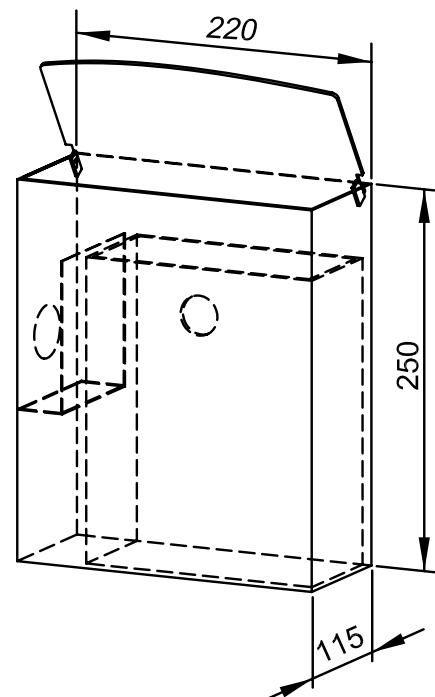


Suggested text for specifications:

Hygiene waste bin with sanitary bag dispenser in stainless steel (AISI 304) for surface mounting. All-stainless steel housing; visible surfaces satin finished and brushed. Equipped with removable hygiene bin. Capacity approx. 4 l. Sanitary bag dispenser integrated on the side. Accessible through hinged lid. Delivery includes fixing material and one box of plastic sanitary bags.

Dimensions: 220 x 250 x 115 mm

Article No. WP177



Available surfaces	ID No.
satin finished (standard)	727 085
highly polished	731 085
(coloured) plastic powder-coating	728 085

Ernst Wagner GmbH & Co. KG

Ernst-Abbe-Straße 21 · D-72770 Reutlingen · Tel.: +49712151539-0 · Fax: -20
info@wagner-ewar.de · www.wagner-ewar.de

WAGNER
EWAR