

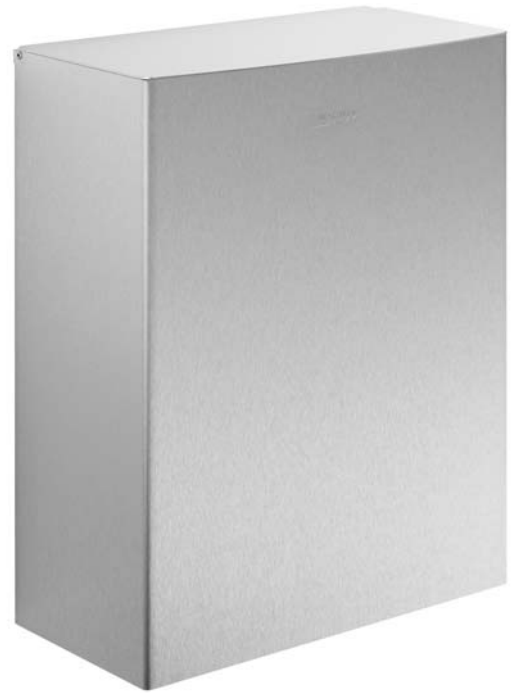
HYGIENE-WASTE BIN WP179-2



300 x 398 x 155 mm

Capacity approx. 12 l

- Hygiene waste bin with in robust, germ-reducing and easy-care stainless steel (AISI 304).
- All-stainless steel housing; visible surfaces satin finished and brushed.
Further available surfaces: see below.
- Equipped with removable hygiene bin. Capacity approx. 12 l.
- Accessible through hinged lid.
- Mounting: With four screws through key holes and one optional anti-theft hole in the back wall.
- Delivery includes fixing material.
- Weight, including single package: 5.5 kg

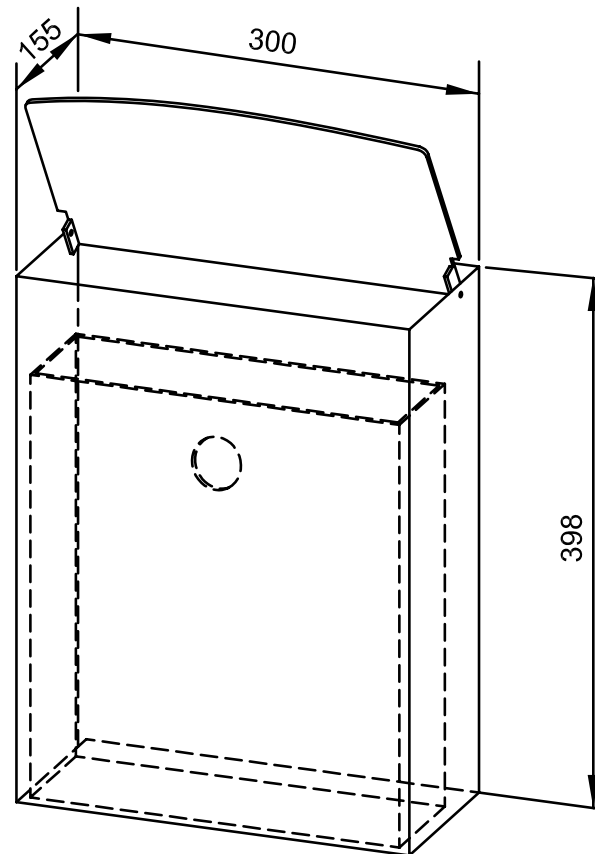


Suggested text for specifications:

Hygiene waste bin in stainless steel (AISI 304) for surface mounting. All-stainless steel housing; visible surfaces satin finished and brushed. Equipped with removable hygiene bin. Capacity approx. 12 l. Accessible through hinged lid. Delivery includes fixing material.

Dimensions: 300 x 398 x 155 mm

Article No. WP179-2



Available surfaces	ID No.
satin finished (standard)	727 350
highly polished	731 350
(coloured) plastic powder-coating	729 350

Ernst Wagner GmbH & Co. KG

Ernst-Abbe-Straße 21 · D-72770 Reutlingen · Tel.: +49712151539-0 · Fax: -20
info@wagner-ewar.de · www.wagner-ewar.de

WAGNER
— EWAR