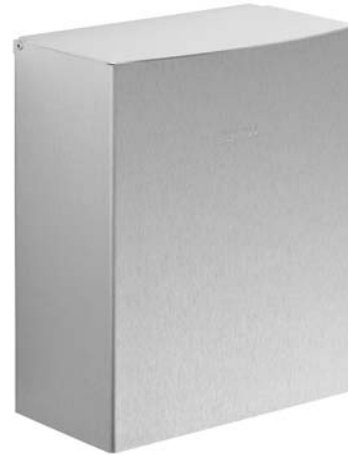


202 x 250 x 115 mm

Capacity approx. 4 l

- Hygiene waste bin in robust, germ-reducing and easy-care stainless steel (AISI 304).
- All-stainless steel housing; visible surfaces satin finished and brushed.
Further available surfaces: see below.
- Equipped with removable hygiene bin. Capacity approx. 4 l.
- Accessible through hinged lid.
- Mounting: With four screws through key holes and one optional anti-theft hole in the back wall.
- Delivery includes fixing material.
- Weight, including single package: 2.5 kg

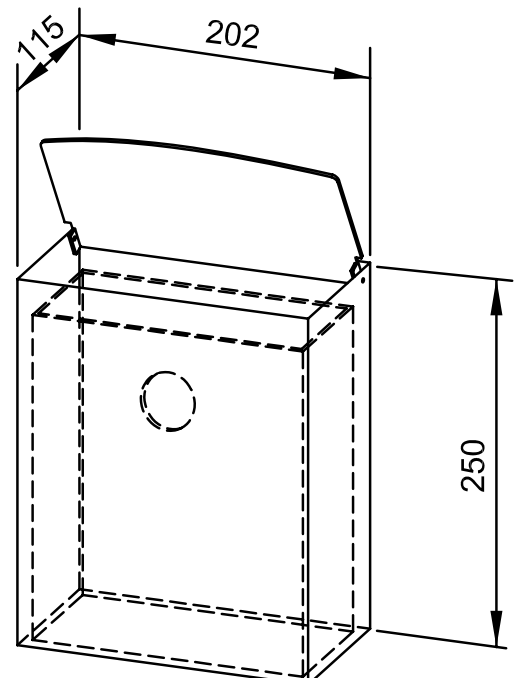


Suggested text for specifications:

Hygiene waste bin in stainless steel (AISI 304) for surface mounting. All-stainless steel housing; visible surfaces satin finished and brushed. Equipped with removable hygiene bin. Capacity approx. 4 l. Accessible through hinged lid. Delivery includes fixing material.

Dimensions: 202 x 250 x 115 mm

Article No. WP179



Available surfaces	ID No.
satin finished (standard)	727 050
highly polished	731 050
(coloured) plastic powder-coating	728 030