

89 x 45 x 120 mm

- Soap shell in solid, germ-reducing and easy-care stainless steel (AISI 303), satin finished.
Further available surfaces: see below.
- Concealed anti-theft two-point rosette wall mounting.
- Holder diameter 16 mm
Shell diameter 89 mm
Height 18 mm
- Mounting with two screws.
- Delivery includes fixing material.
- Weight, including single package: 0.6 kg

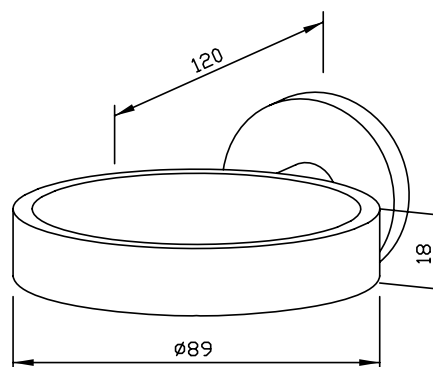


Suggested text for specifications:

Soap shell in solid stainless steel (AISI 303), satin finished, for surface mounting. Concealed anti-theft two-point rosette wall mounting. Delivery includes fixing material.

Dimensions: 89 x 45 x 120 mm

Article No. AC270



Available surfaces	ID No.
satin finished (standard)	700 270
highly polished	731 270