

# FOAM SOAP DISPENSER WP103



80 x 298 x 120 mm

400 ml foam soap concentrate

- Foam soap dispenser in robust, germ-reducing and easy-care stainless steel (AISI 316L).
- All-stainless steel housing; all corners fully welded, visible surfaces satin finished and brushed. Further available surfaces: see below.
- One-hand operated and non-drip foam soap pump.
- Designed for standard 400 ml foam soap concentrate.
- Inspection slot to indicate fill level.
- Accessible for refilling through lockable, hinged housing.
- Keyed alike cylinder lock in corrosion-resistant zinc die-casting.
- Wear parts can be replaced as modules.
- Mounting: With two screws through key holes and one optional anti-theft hole in the back wall.
- Delivery includes fixing material and first fill with foam soap concentrate.
- Weight, including single package: 2.4 kg

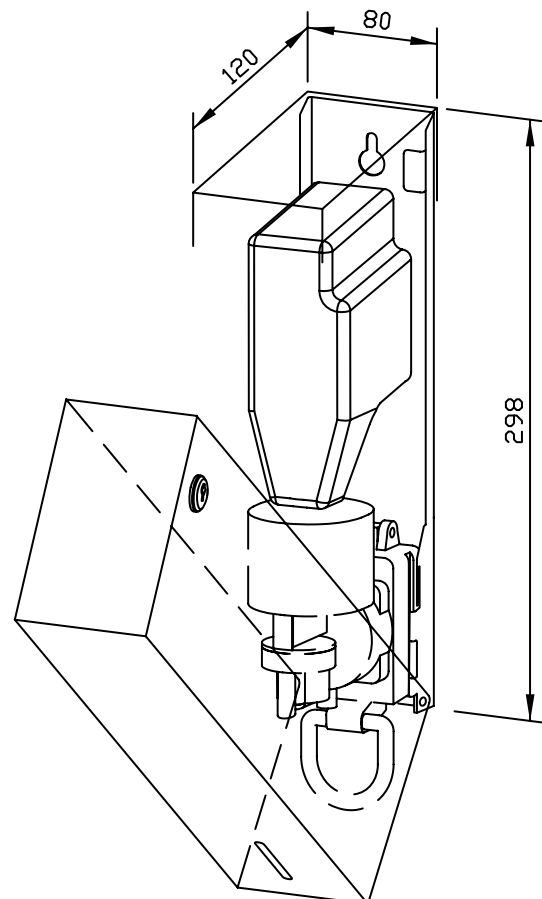


## Suggested text for specifications:

Foam soap dispenser in stainless steel (AISI 316L) for surface mounting. All-stainless steel housing; all corners fully welded, visible surfaces satin finished and brushed. One-hand operated and non-drip foam soap pump. Designed for standard 400 ml foam soap concentrate. Inspection slot to indicate fill level. Accessible for refilling through lockable, hinged housing. Keyed alike cylinder lock in corrosion-resistant zinc die-casting. Delivery includes fixing material and first fill with foam soap concentrate.

Dimensions: 80 x 298 x 120 mm

Article No. WP103



Available surfaces	ID No.
satin finished (standard)	727 103
highly polished	731 103
(coloured) plastic powder-coating	728 072

## Ernst Wagner GmbH & Co. KG

Ernst-Abbe-Straße 21 · D-72770 Reutlingen · Tel.: +49712151539-0 · Fax: -20  
info@wagner-ewar.de · www.wagner-ewar.de

WAGNER  
EWAR