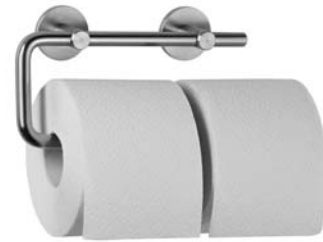


DOUBLE TOILET ROLL HOLDER AC252



260 x 110 x 66 mm

- Double toilet roll holder in solid, germ-reducing and easy-care stainless steel (AISI 303), satin finished. Further available surfaces: see below.
- Designed for two standard toilet rolls with dimensions:
 - Outer diameter max. 125 mm
 - Width max. 100 mm
 - Core diameter min. 38 mm
- Two anti-theft two-point rosette wall mountings.
- Can be mounted pointing right or left.
- Holder diameter 20 mm
Roll holder diameter 12 mm
- Mounting with four screws.
- Delivery includes fixing material.
- Weight, including single package: 0.6 kg

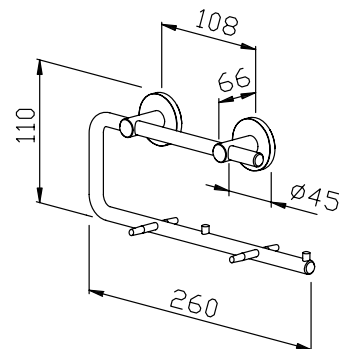


Suggested text for specifications:

Double toilet roll holder in solid stainless steel (AISI 303), satin finished, for surface mounting. Two anti-theft two-point rosette wall mountings. Can be mounted pointing right or left. Delivery includes fixing material.

Dimensions: 260 x 110 x 66 mm

Article No. AC252



Available surfaces	ID No.
satin finished (standard)	700 252
highly polished	731 252

Ernst Wagner GmbH & Co. KG

Ernst-Abbe-Straße 21 · D-72770 Reutlingen · Tel.: +49712151539-0 · Fax: -20
info@wagner-ewar.de · www.wagner-ewar.de

WAGNER
EWAR