

BASIN TAP WA210



Ø 52 x 283 x 155 mm

Low pressure

- Single-lever basin tap without waste fitting in robust, germ-reducing and easy-care stainless steel (AISI 303).
- Version: low pressure, suitable for unpressurised tanks. Operating pressure 2–6 bar.
- Solid stainless steel body; visible surfaces satin finished. Further available surfaces: see below.
- High quality ceramic mixer cartridge with adjustable temperature limit setting (scald protection).
- Neoperl® air bubble spray M21 x 1 mm.
- Design height: 283 mm
Outlet height: 199 mm
Projection: 98 mm
Length of lever: 40 mm
- Wear parts can be replaced as modules.
- Installation dimensions: Ø 33-40 mm, surface thickness max. 40 mm
- Mounting: With one counternut.
- Delivery includes fixing material and three flexible connecting hoses clad in stainless steel.
- Weight, including single package: 1.8 kg



Suggested text for specifications:

Single-lever basin tap in stainless steel (AISI 303) for counter mounting. Version: low pressure. Solid stainless steel body; visible surfaces satin finished. Ceramic mixer cartridge with adjustable temperature limit setting. Delivery includes fixing material and three flexible connecting hoses clad in stainless steel.

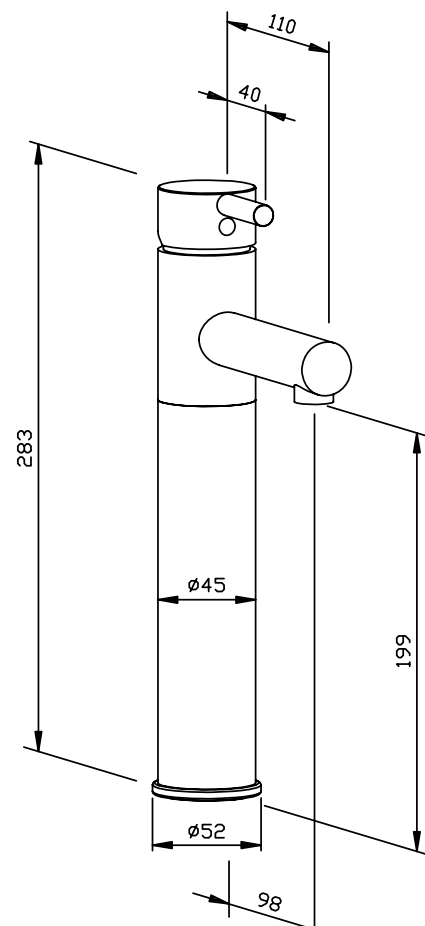
Dimensions: Ø 52 x 283 x 155 mm

Outlet height 199 mm

Projection 98 mm

Length of lever 40 mm

Article No. WA210



Available surfaces

ID No.

satin finished (standard)

925 267

highly polished

932 267

Ernst Wagner GmbH & Co. KG

Ernst-Abbe-Straße 21 · D-72770 Reutlingen · Tel.: +49712151539-0 · Fax: -20
info@wagner-ewar.de · www.wagner-ewar.de

WAGNER
EWAR