

# TABLETOP DISINFECTANT DISPENSER WP122-3



68 x 334 x 129 mm

stainless steel

- Tabletop disinfectant dispenser in robust, germ-reducing and easy-care stainless steel (AISI 316L).
- Solid stainless steel body; visible surfaces satin finished. Further available surfaces: see below.
- Design height: 86 mm  
Outlet height: 68 mm  
Projection: 76 mm
- Non-drip disinfectant pump with 500 ml disinfectant bottle in plastics and pressure valve in stainless steel.
- Also available with 250 ml or 1000 ml containers in plastics.
- 500 ml container in stainless steel as an option for a surcharge.
- Designed for standard disinfectants.
- Refillable from above by unscrewing the top part.
- Wear parts can be replaced as modules.
- Installation dimensions:  $\varnothing$  22-26 mm, surface thickness max. 40 mm.
- Mounting: With one counternut.
- Delivery includes fixing material.
- Weight, including single package: 0.7 kg



## Suggested text for specifications:

Tabletop disinfectant dispenser in stainless steel (AISI 316L) for counter mounting. Solid stainless steel body; visible surfaces satin finished. Non-drip disinfectant pump with 500 ml disinfectant bottle in plastics and pressure valve in stainless steel. Designed for standard disinfectants. Refillable from above by unscrewing the top part. Delivery includes fixing material.

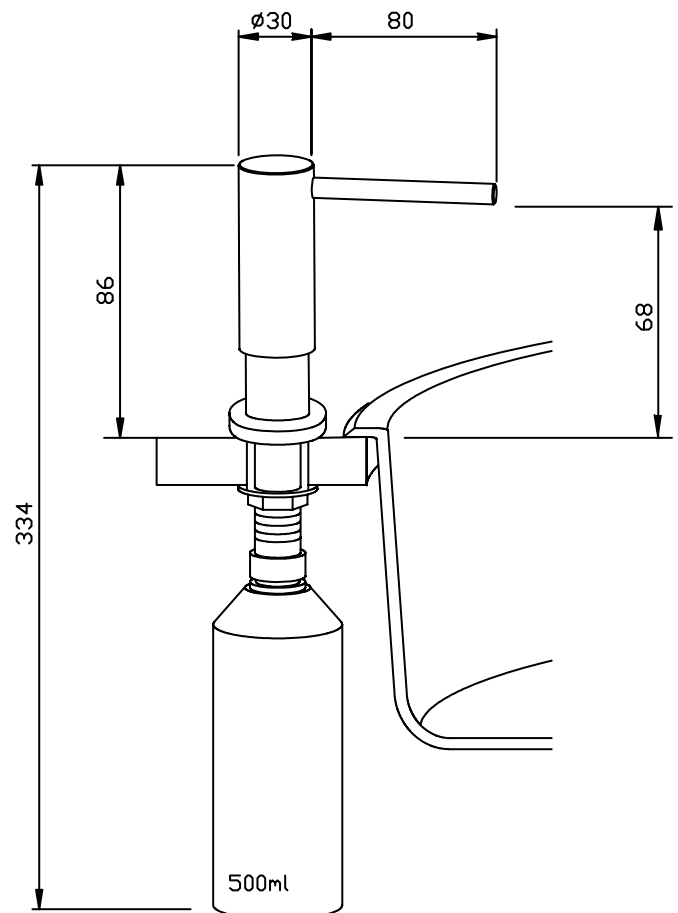
Dimensions: (with container) 68 x 334 x 129 mm

Design height: 86 mm

Outlet height: 68 mm

Projection: 76 mm

Article No. WP122-3



## Available surfaces

## ID No.

satin finished (standard)

923 340

highly polished

931 340

## Ernst Wagner GmbH & Co. KG

Ernst-Abbe-Straße 21 · D-72770 Reutlingen · Tel.: +49712151539-0 · Fax: -20  
info@wagner-ewar.de · www.wagner-ewar.de

WAGNER  
EWAR