

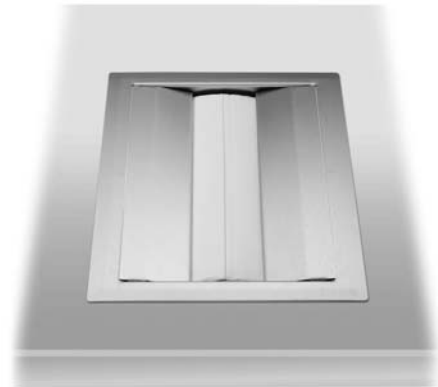
PAPER TOWEL DISPENSER WP117



300 x 185 x 200 mm

approx. 250 paper towels

- Paper towel dispenser in robust, germ-reducing and easy-care stainless steel (AISI 304).
- All-stainless steel housing; visible surfaces satin finished and brushed. Further available surfaces: see below.
- Paper guided through a non-wearing, constant pressure spring mechanism for easy paper removal.
- Designed for approx. 250 standard paper towels in zigzag- or c-fold.
Paper size (folded): 240-250 mm x 100-115 mm.
- Accessible for refilling through spring flaps from the top.
- Installation dimensions: 266 x 155 mm
- Mounting: With four screws from below with brackets.
- Delivery includes fixing material and one pack of paper towels.
- Weight, including single package: 3.9 kg

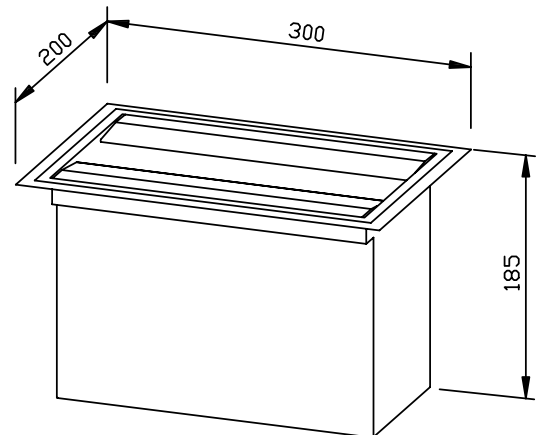


Suggested text for specifications:

Paper towel dispenser in stainless steel (AISI 304) for counter mounting. All-stainless steel housing; visible surfaces satin finished and brushed. Filling quantity approx. 250 paper towels. Accessible for refilling through spring flaps from the top. Delivery includes fixing material and one pack of paper towels.

Dimensions: 300 x 185 x 200 mm

Article No. WP117



Available surfaces	ID No.
satin finished (standard)	727 040
highly polished	731 040
(coloured) plastic powder-coating	728 040

Ernst Wagner GmbH & Co. KG

Ernst-Abbe-Straße 21 · D-72770 Reutlingen · Tel.: +49712151539-0 · Fax: -20
info@wagner-ewar.de · www.wagner-ewar.de

WAGNER
EWAR