

WASTE BIN WITH WALL RAIL WP188



298 x 448 x 300 mm

Capacity approx. 40 l

- Waste bin with wall rail in robust, germ-reducing and easy-care stainless steel (AISI 304).
- All-stainless steel housing; visible surfaces satin finished and brushed.
Further available surfaces: see below.
- Capacity approx. 40 l. Accessible by pulling out on the wall rail. Waste disposal from above through an optional waste disposal ring or flap.
- Mounting (wall rail): With four screws through key holes and one optional anti-theft hole.
- Delivery includes fixing material.
- Weight, including single package: 7.5 kg

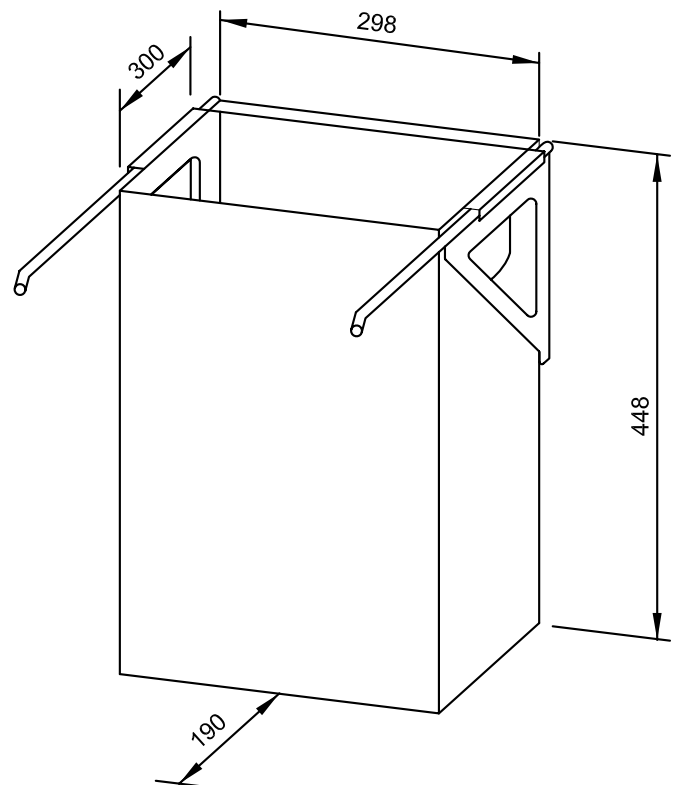


Suggested text for specifications:

Waste bin with wall rail in stainless steel (AISI 304) for under-counter mounting. All-stainless steel housing; all corners fully welded, visible surfaces satin finished and brushed. Capacity approx. 40 l. Accessible by pulling out on the wall rail. Waste disposal from above through an optional waste disposal ring or flap. Delivery includes fixing material.

Dimensions: 298 x 448 x 300 mm

Article No. WP188



Options	ID No.
Waste disposal ring	727 080

Available surfaces	ID No.
satin finished (standard)	727 615
highly polished	731 615
(coloured) plastic powder-coating	728 615

Ernst Wagner GmbH & Co. KG

Ernst-Abbe-Straße 21 · D-72770 Reutlingen · Tel.: +49712151539-0 · Fax: -20
info@wagner-ewar.de · www.wagner-ewar.de

WAGNER
EWAR