

# WASTE BIN WP198



298 x 450 x 510 mm  
Capacity approx. 43 l

- Waste bin in robust, germ-reducing and easy-care stainless steel (AISI 304).
- All-stainless steel housing; visible surfaces satin finished and brushed. Further available surfaces: see below.
- Equipped with removable mesh basket. Capacity approx. 43 l. Accessible through lockable door. Waste disposal from above through an optional waste disposal ring or flap.
- Keyed alike cylinder lock in corrosion-resistant zinc die-casting.
- Wear parts can be replaced as modules.
- Mounting: With four screws through key holes and one optional anti-theft hole in the back wall off-floor below vanity unit, or as an option with console or base for a surcharge.
- Delivery includes fixing material.
- Weight, including single package: 8.0 kg

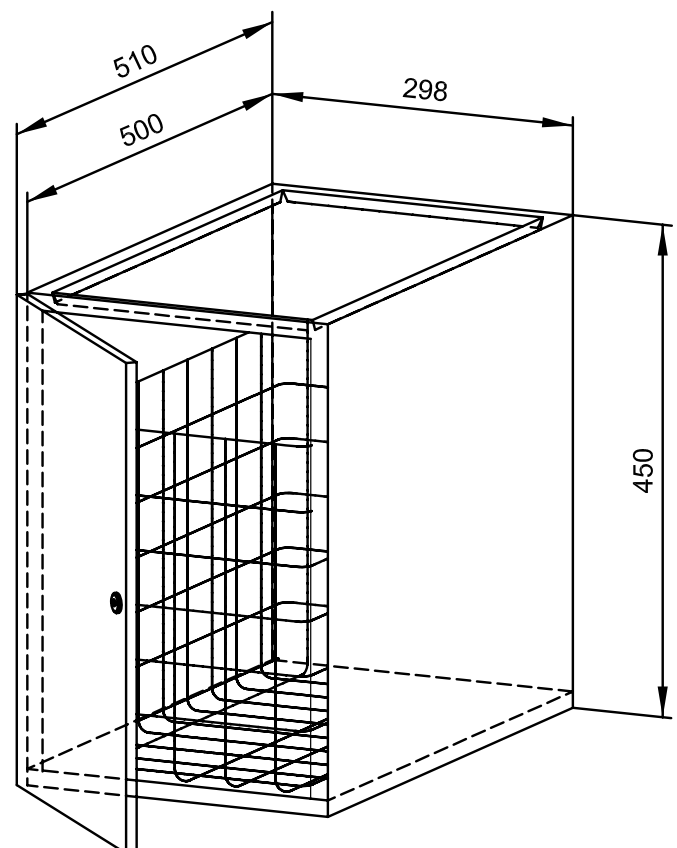


## Suggested text for specifications:

Waste bin in stainless steel (AISI 304) for under-counter mounting. All-stainless steel housing; all corners fully welded, visible surfaces satin finished and brushed. Equipped with removable mesh basket. Capacity approx. 43 l. Accessible through lockable door. Waste disposal from above through an optional waste disposal ring or flap. Delivery includes fixing material.

Dimensions: 298 x 450 x 510 mm

Article No. WP198



Options	ID No.
Base (please specify dimensions)	735 630
Console (please specify dimensions)	727 652
Waste disposal ring WP159	727 080

Available surfaces	ID No.
satin finished (standard)	828 180
highly polished	831 180
(coloured) plastic powder-coating	829 180

## Ernst Wagner GmbH & Co. KG

Ernst-Abbe-Straße 21 · D-72770 Reutlingen · Tel.: +49712151539-0 · Fax: -20  
info@wagner-ewar.de · www.wagner-ewar.de

WAGNER  
EWAR