

148 x 298 x 22 mm

- Waste disposal frame in robust, germ-reducing and easy-care stainless steel (AISI 304).
- All-stainless steel construction; visible surfaces satin finished and brushed.  
Further available surfaces: see below.
- Mounting: Insert and glue into cutout.
- Installation dimensions: 258 x 110 mm
- Weight, including single package: 0.5 kg

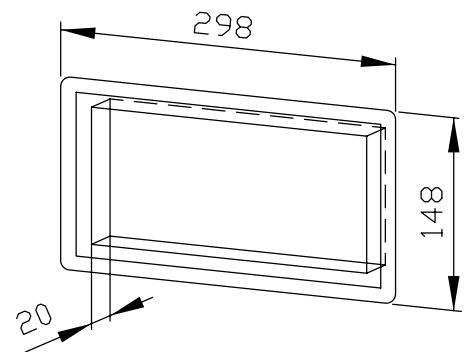


### Suggested text for specifications:

Waste disposal frame in stainless steel (AISI 304) for under-counter mounting at the front side. All-stainless steel construction; visible surfaces satin finished and brushed.

Dimensions: 148 x 298 x 22 mm

Article No. WP146-1



Available surfaces	ID No.
satin finished (standard)	727 146
highly polished	731 146
(coloured) plastic powder-coating	729 146