

REMOVABLE BACK REST FOR TOILET SEAT BA250



543 x 180 x 140 mm

- Removable back rest for toilet seat in black polyurethane, including 500 mm rail in stainless steel (AISI 304).
- Removable for cleaning.
- Mounting: Rail with six screws. Back rest is clipped on.
- Delivery includes fixing material.
- Weight, including single package: 1.5 kg

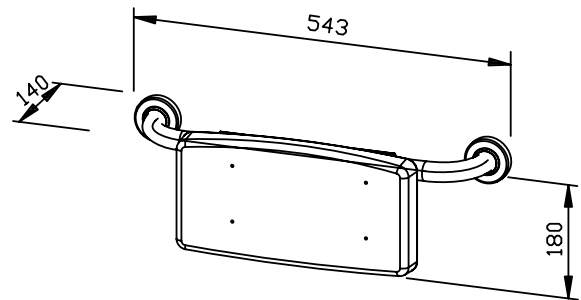


Suggested text for specifications:

Back rest for toilet seat in black polyurethane, including 500 mm rail in stainless steel (AISI 304) for wall mounting. Removable for cleaning. Delivery includes fixing material.

Dimensions: 543 x 180 x 140 mm

Article No. BA250



Available surface	ID No.
satin finished / plastics black	600 250

Ernst Wagner GmbH & Co. KG

Ernst-Abbe-Straße 21 · D-72770 Reutlingen · Tel.: +49712151539-0 · Fax: -20
info@wagner-ewar.de · www.wagner-ewar.de

WAGNER
EWAR